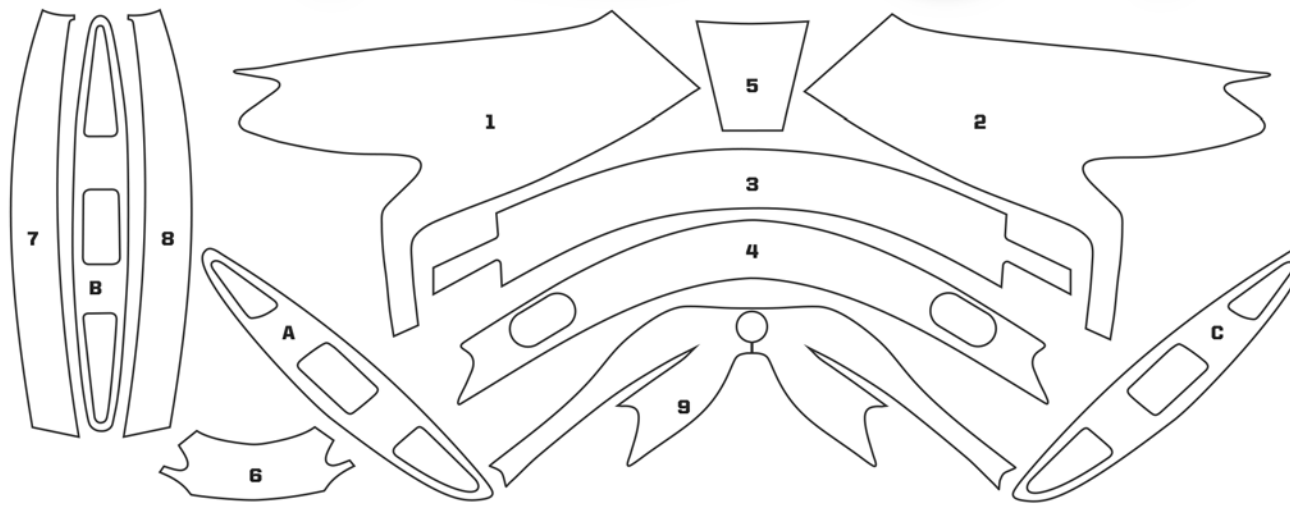
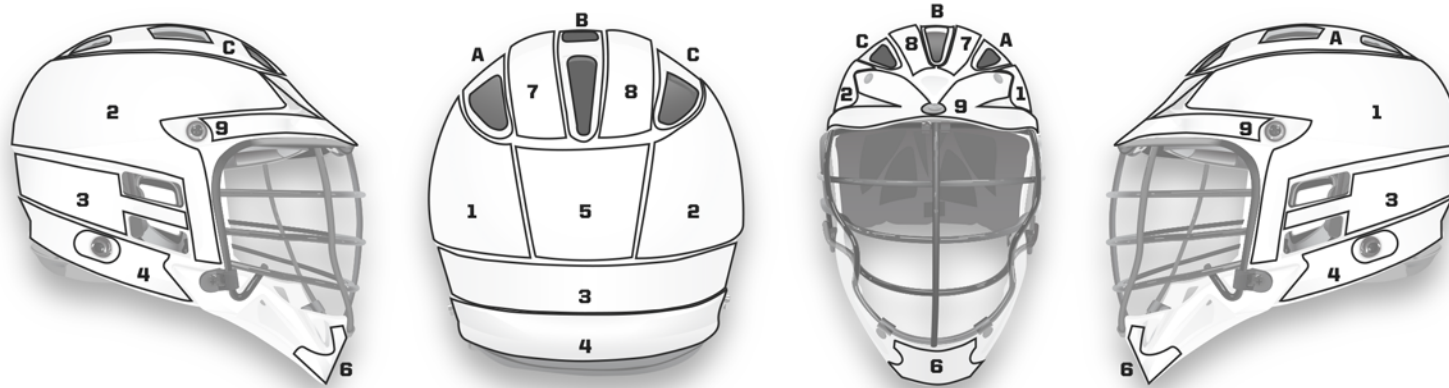


# Decal Placement Chart: **CASCADE CPX**



- 1** LEFT SIDE PANEL
- 2** RIGHT SIDE PANEL
- 3** BACK PANEL
- 4** NECK PANEL
- 5** CENTER BACK
- 6** CHIN PIECE
- 7** RIGHT MOHAWK
- 8** LEFT MOHAWK
- 9** VISOR
- A.B.C.** VENT PIECES

## **INSTRUCTIONS**

Remove any previous decals from the helmet, clean thoroughly with rubbing alcohol, and make sure the surface is dry before beginning. Peel up one decal from the sheet at a time, and be careful not to touch the adhesive back to surface of the decal sheet. Delicately place the decal in the proper position on the helmet and start pressing from the middle to smooth out the decals and remove any air bubbles. If the alignment is wrong or if there are larger air bubbles, just lift and re-apply the decal in the proper position.

**WWW.SCHOOLPRIDE.COM**  
**866-774-3348**

**COPYRIGHT © 2017 SCHOOLPRIDE®**  
ALL ARTWORK IS THE PROPERTY OF SCHOOLPRIDE®.  
ALL RIGHTS RESERVED. ANY REDISTRIBUTION,  
COPYING, OR TRANSMISSION IS PROHIBITED.